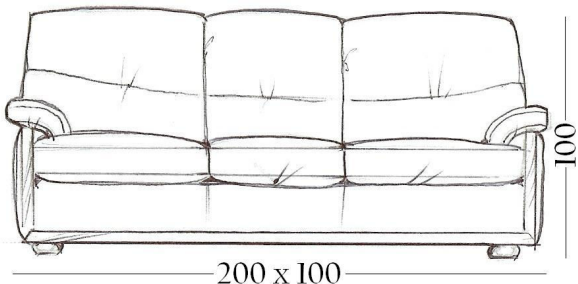
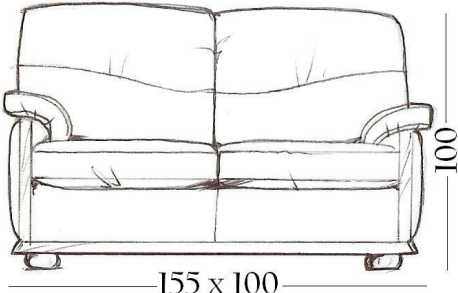


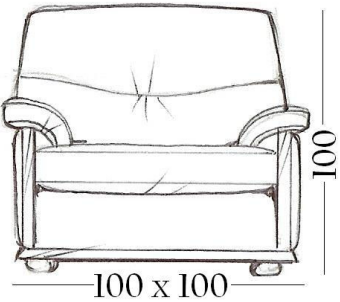
Race Options Available



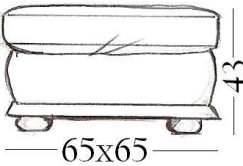
3 Seater



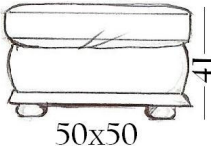
2 Seater



Chair



Large Ottoman



Small Ottoman

- **Comfort.** High back cushion fibre filled. Head roll and lumbar for extra back support.
- **Arms and Seats.** High resilience foam for durability and comfort.
- **Wood finishes.** All bases are made from beech wood. Available in five finishes: Blonde, Mahogany, Light Oak, Walnut and Maple.